



## SBA-82-450 Evaporator Technical Specifications

CLPR  
CERTIFICATION



<b>Model</b>	SBA-82-450	<b>Heat Transfer Surface</b>	179.49 m <sup>2</sup>
<b>Capacity</b>	29970.00 Watt	<b>Tube Volume</b>	29.5 dm <sup>3</sup>
<b>Inlet Air Temperature</b>	0 °C	<b>Fin Spacing</b>	8 mm
<b>Evaporation Temp. ΔT</b>	-8 K	<b>Test Pressure</b>	
<b>Refrigerant</b>	R404A	<b>Max. Operating Pressure</b>	
<b>Altitude (1)</b>	0 m	<b>Configuration</b>	SBA-82-450 /

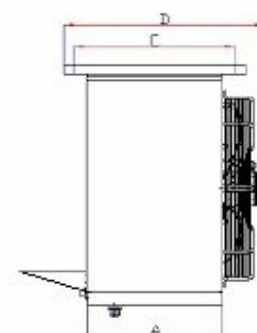
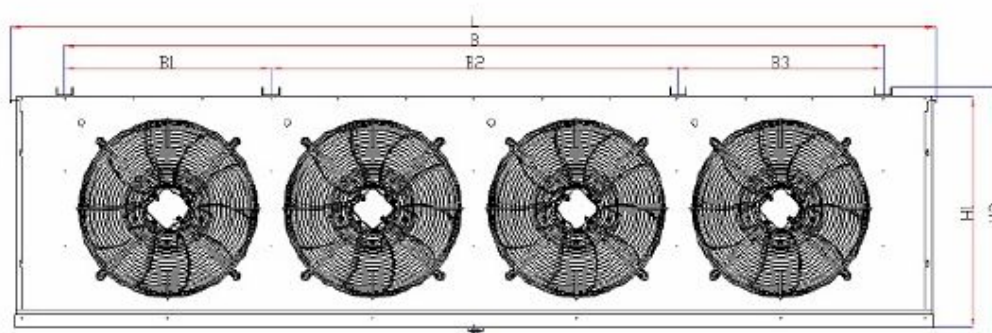
### Fan Specifications

<b>Air Flow</b>	33556.6 m <sup>3</sup> /h
<b>Fan Diameter</b>	∅ 500 mm
<b>Number of Fan</b>	4
<b>Fan Speed</b>	1300 rpm
<b>Total Power Input</b>	2.72 kW
<b>Total Fan Current</b>	12 A
<b>Voltage</b>	400 V
<b>Frequency</b>	50 Hz
<b>Phase</b>	1 Phase
<b>Air Throw Distance</b>	23 m
<b>Sound Power Level (LWA)</b>	89 dBA
<b>Sound Pressure Level (LPA)(2)</b>	67 dBA
<b>Distance @</b>	3 m
<b>Insulation Class</b>	Class F
<b>Protection Class</b>	IP 54
<b>Temperature Range</b>	65 °C

### Pricing

<b>Unit List Price</b>	0.00 €
<b>Configuration Price Difference</b>	0.00 €
<b>Unit Sales Price (Excluding Taxes)</b>	0.00 €

### Dimensions



L: 4348 mm	H1: 689 mm	H2: 767 mm	D: mm
A: 461 mm	B: 4025 mm	B1: 1006 mm	B2: 2012 mm
B3: 1007 mm	C: 529 mm	∅Din: 5/8"	∅Dout: 42 mm
We: kg			

### Notes

- 1) Capacity correction calculation for altitude is according to related Eurovent Standard.
- 2) Sound pressure calculation standard: EN13487
- 3) All of the technical information is subject to change without notice.
- 4) All of the performance and technical data according to default configuration.