



## SBE-44-240 Evaporator Technical Specifications



|                       |               |                         |                      |
|-----------------------|---------------|-------------------------|----------------------|
| <b>Model</b>          | SBE-44-240    | Heat Transfer Surface   | 58.1 m <sup>2</sup>  |
| Capacity              | 11020.00 Watt | Tube Volume             | 10.4 dm <sup>3</sup> |
| Inlet Air Temperature | 0 °C          | Fin Spacing             | 4 mm                 |
| Evaporation Temp.     | -8            | Test Pressure           |                      |
| ΔT                    | 8 K           | Max. Operating Pressure |                      |
| Refrigerant           | R404A         | <b>Configuration</b>    |                      |
| Altitude (1)          | 0 m           | SBE-44-240/             |                      |

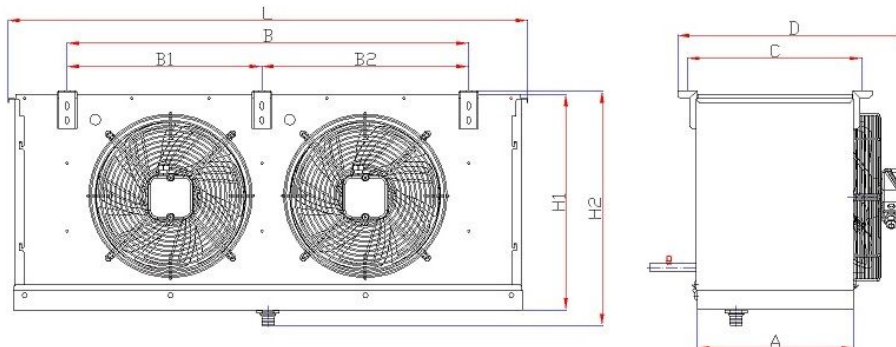
### Fan Specifications

|                               |                        |
|-------------------------------|------------------------|
| Air Flow                      | 5630 m <sup>3</sup> /h |
| Fan Diameter                  | Ø 400 mm               |
| Number of Fan                 | 2                      |
| Fan Speed                     | 1430 rpm               |
| Total Power Input             | 0.32 kW                |
| Total Fan Current             | 1.46 A                 |
| Voltage                       | 230 V                  |
| Frequency                     | 50 Hz                  |
| Phase                         | 1 Phase                |
| Air Throw Distance            | 13 m                   |
| Sound Power Level (LWA)       | 88 dBA                 |
| Sound Pressure Level (LPA)(2) | 66 dBA                 |
| Distance @                    | 3 m                    |
| Insulation Class              | Class B                |
| Protection Class              | IP 44                  |
| Temperature Range             | 40 °C                  |

### Pricing

|                                    |        |
|------------------------------------|--------|
| Unit List Price                    | 0.00 € |
| Configuration Price Difference     | 0.00 € |
| Unit Sales Price (Excluding Taxes) | 0.00 € |

### Dimensions



|           |           |           |             |
|-----------|-----------|-----------|-------------|
| L:1348 mm | H1:604 mm | H2:644 mm | D:516 mm    |
| A:359 mm  | B:1065 mm | B1: mm    | B2: mm      |
| B3:391 mm | C: mm     | ØDin:5/8" | ØDout:28 mm |
| We:59 kg  |           |           |             |

### Notes

- 1) Capacity correction calculation for altitude is according to related Eurovent Standard.
- 2) Sound pressure calculation standard: EN13487
- 3) All of the technical information is subject to change without notice.
- 4) All of the performance and technical data according to default configuration.

### User Contact Info:

|                          |  |                      |                   |
|--------------------------|--|----------------------|-------------------|
| <b>Name and Surname:</b> | Krzysztof Pakulski                             | <b>Company Name:</b> | allterm           |
| <b>Phone:</b>            | +48508142149                                   | <b>Fax:</b>          | +48713026827      |
| <b>E-mail:</b>           | info@sarbuzz-polska.pl                         | <b>Web:</b>          | sarbuzz-polska.pl |
| <b>Address</b>           | 55095 Mirków ul.Wolności 25 İstanbul / Türkiye |                      |                   |

Sarbuzz Soğutma Sanayi ve Tic. Ltd. Şti.  
Ömerli Mah. Adnan Kahveci Cad. Seden Sok. No: 14 Hadımköy / Arnavutköy / İSTANBUL/Türkiye  
Product Selection Program V 1.0 Gama