



## SBE-41-230 Evaporator Technical Specifications



<b>Model</b>	SBE-41-230	Heat Transfer Surface	16 m <sup>2</sup>
Capacity	3490.00 Watt	Tube Volume	2.8 dm <sup>3</sup>
Inlet Air Temperature	0 °C	Fin Spacing	4 mm
Evaporation Temp.	-8	Test Pressure	
ΔT	8 K	Max. Operating Pressure	
Refrigerant	R404A	<b>Configuration</b>	
Altitude (1)	0 m	SBE-41-230/	

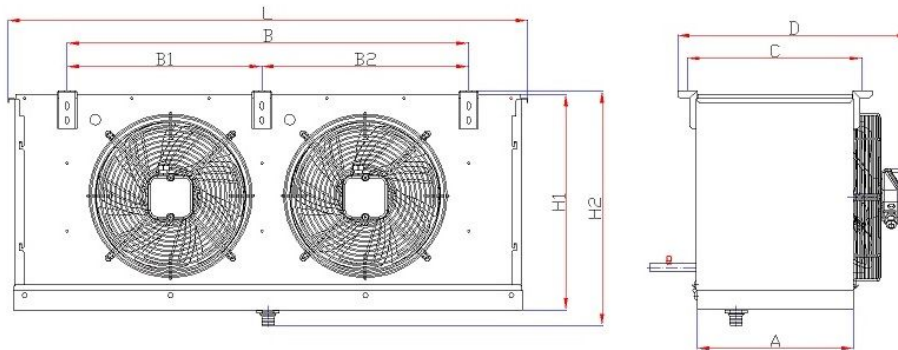
### Fan Specifications

Air Flow	2780 m <sup>3</sup> /h
Fan Diameter	∅ 300 mm
Number of Fan	2
Fan Speed	1380 rpm
Total Power Input	0.124 kW
Total Fan Current	0.56 A
Voltage	230 V
Frequency	50 Hz
Phase	1 Phase
Air Throw Distance	8 m
Sound Power Level (LWA)	73 dBA
Sound Pressure Level (LPA)(2)	51 dBA
Distance @	3 m
Insulation Class	Class B
Protection Class	IP 44
Temperature Range	60 °C

### Pricing

Unit List Price	0.00 €
Configuration Price Difference	0.00 €
Unit Sales Price (Excluding Taxes)	0.00 €

### Dimensions



L:1108 mm	H1:444 mm	H2:484 mm	D:477 mm
A:321 mm	B:825 mm	B1: mm	B2: mm
B3:351 mm	C: mm	∅Din:1/2"	∅Dout:22 mm
We:26 kg			

### Notes

- 1) Capacity correction calculation for altitude is according to related Eurovent Standard.
- 2) Sound pressure calculation standard: EN13487
- 3) All of the technical information is subject to change without notice.
- 4) All of the performance and technical data according to default configuration.

### User Contact Info:

<b>Name and Surname:</b>	Krzysztof Pakulski	<b>Company Name:</b>	allterm
<b>Phone:</b>	+48508142149	<b>Fax:</b>	+48713026827
<b>E-mail:</b>	info@sarbuzz-polska.pl	<b>Web:</b>	sarbuzz-polska.pl
<b>Address</b>	55095 Mirków ul. Wolności 25 İstanbul / Türkiye		

Sarbuzz Soğutma Sanayi ve Tic. Ltd. Şti.  
Ömerli Mah. Adnan Kahveci Cad. Seden Sok. No: 14 Hadımköy / Arnavutköy / İSTANBUL/Türkiye  
Product Selection Program V 1.0 Gama